



LEDR S 1.0

PROFILI PER SISTEMI
LINEARI

DI ILLUMINAZIONE A LED

2017 Volume 1.0

www.ledrichproject.it

SOLUZIONI LINEARI ILLUMINAZIONE A LED

CONTENTS

INTRODUZIONE



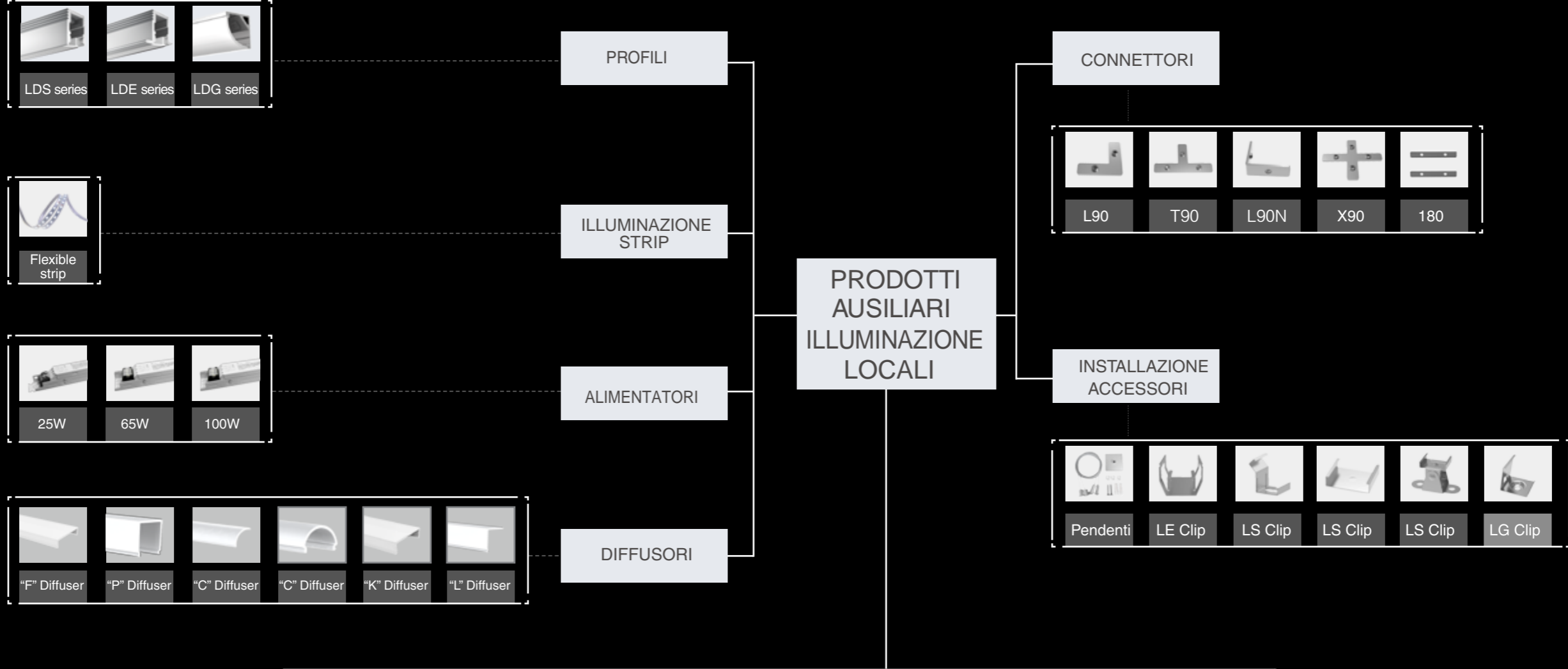
SISTEMI LINEARI DI ILLUMINAZIONE A LED	01
LEDR. S 1.0	07
PRODUZIONE	09
ALTA LUMINOSITA'	11

LEDR.S 1.0



LEDR S SERIES	19
LEDR E SERIES	35
LEDR G SERIES	43

SISTEMA DI ILLUMINAZIONE LINEARE



SOFFITTI, PARETI E BORDO PAVIMENTI



ARMADI E SCAFFALI



BAGNI E SAUNE



DECORAZIONI





SOFFITTI, PAVIMENTI ESTREMITA' DEI BORDI DELLA PARETE

Flexibly used in ceilings, floors, walls and wall edges for fashionable and creative decorative lighting spaces



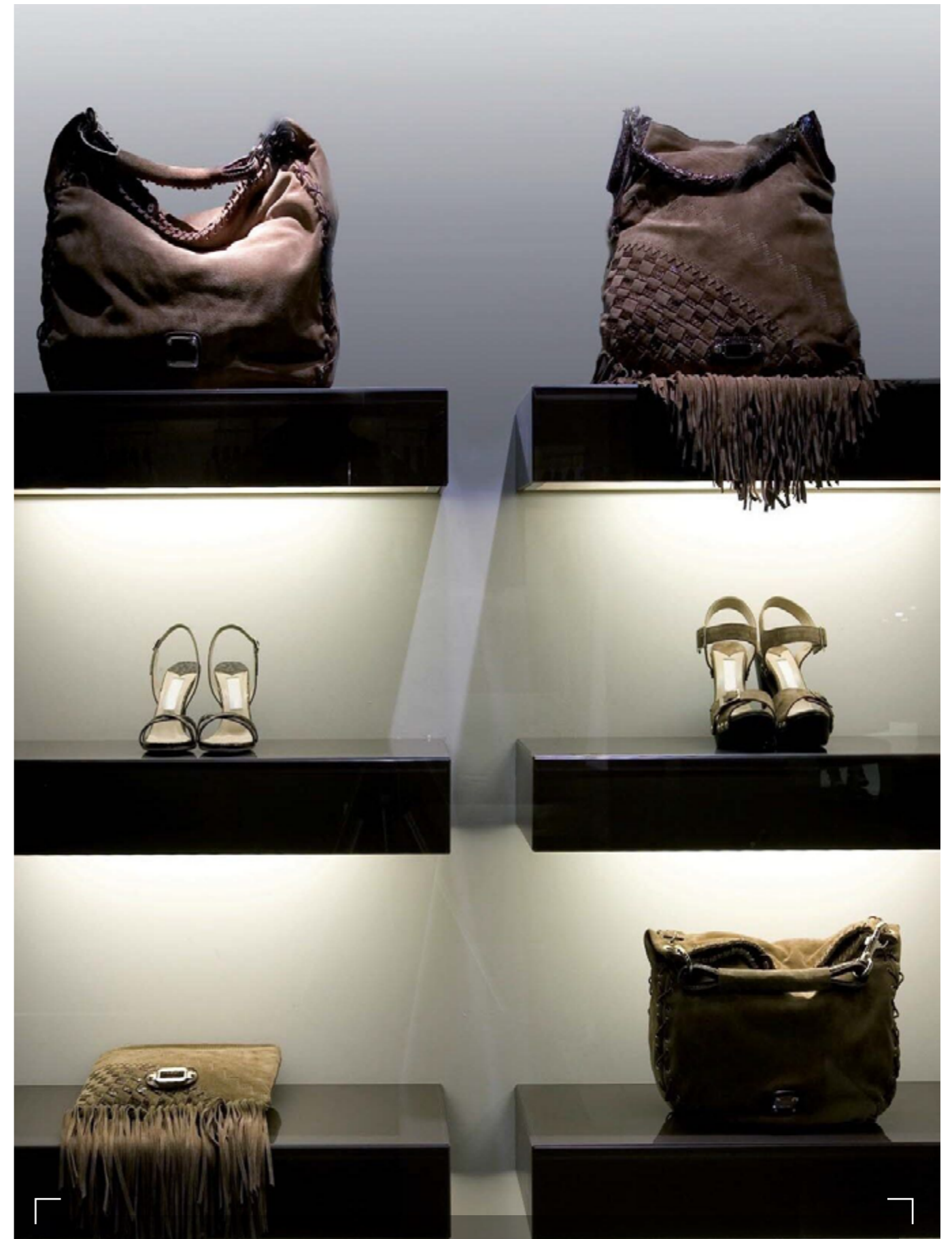
ARMADI E SCAFFALI

Easily installed in panel furniture systems like closets, cupboards and bookshelves to highlight local keys



BAGNI E SAUNE

Perfectly fit in humid spaces like rest rooms, bathrooms, sauna rooms and bathhouses for auxiliary lighting and ambience creation



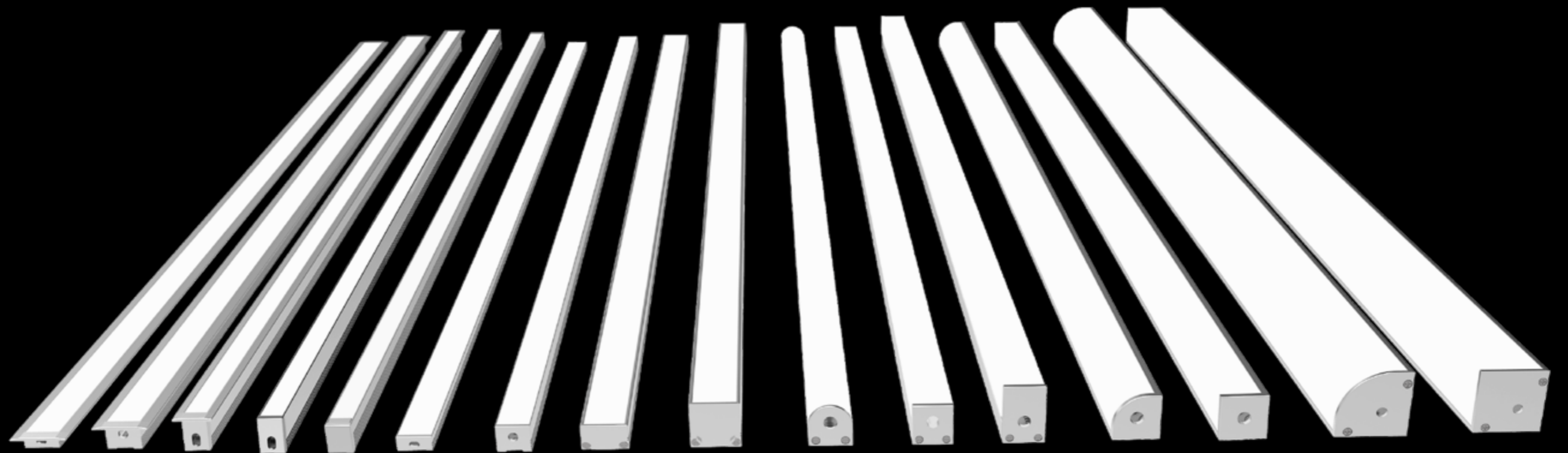
ESPOSIZIONI DECORATIVE

Widely applied in various display racks and showcases in commercial stores to vividly demonstrate colors and attraction of products and stimulate the desire to buy



LEDR S1.0 SYSTEM

LEDR S 1.0, è uno speciale sistema di illuminazione lineare usato in varie decorazioni di interni scenari e locali. Un tocco di illuminazione decorativa in aggiunta all'illuminazione di base crea atmosfere diverse e godimento visivo. Abbellire la vita con la luce che ti segue ovunque ti trovi.



LEDRE250

LEDRE251

LEDRE121

LEDRS812

LEDRS709

LEDRS167

LEDRS163(B)

LEDRS203

LEDRS220

LEDRS1911C(B)

LEDRS191K(B)

LEDRS191P(B)

LEDRG161C

LEDRG161K

LEDRG303C(B)

LEDRG303K(B)

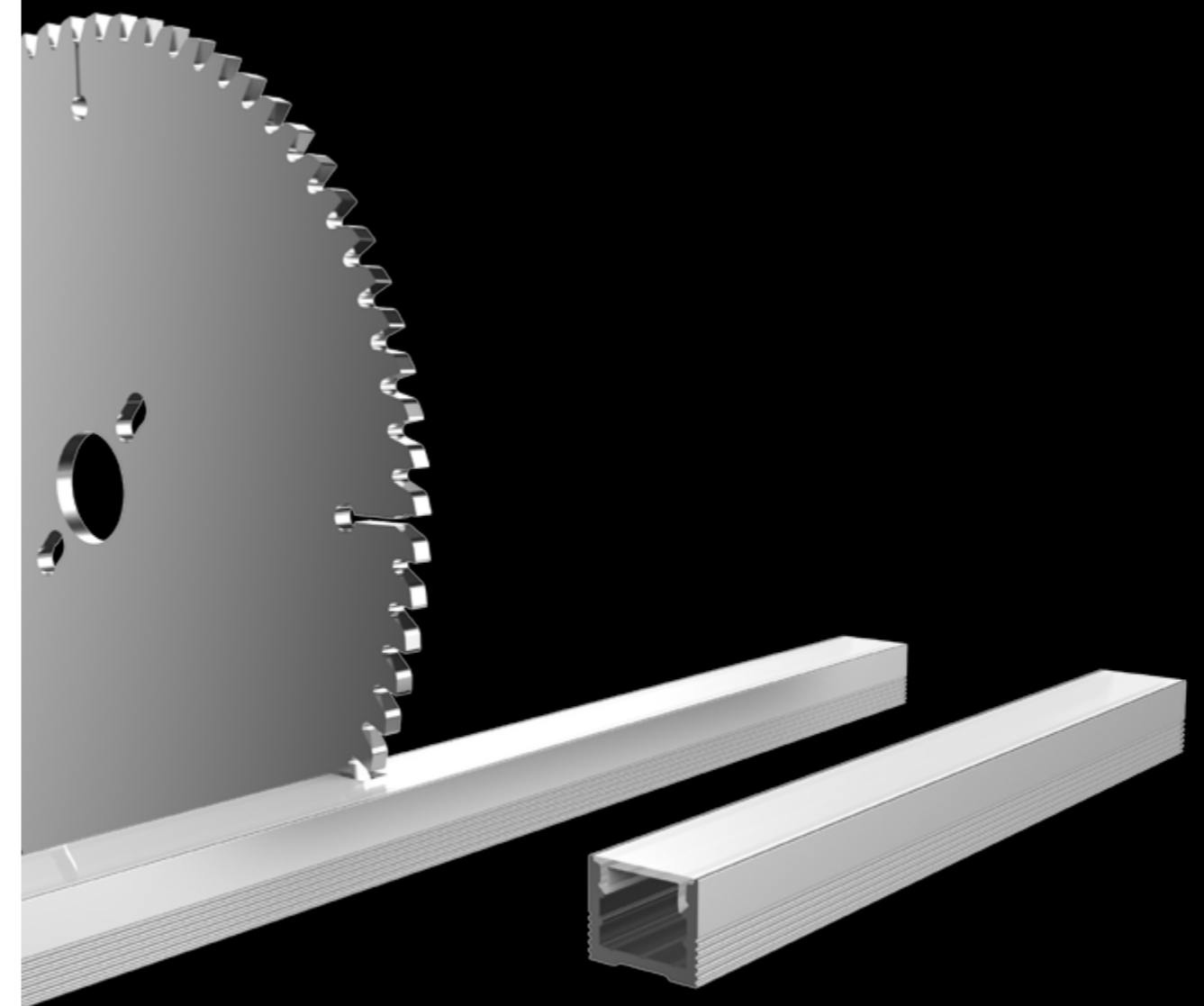
Punti di illuminazione

Illuminazione perfettamente omogenea



1 TAGLIO

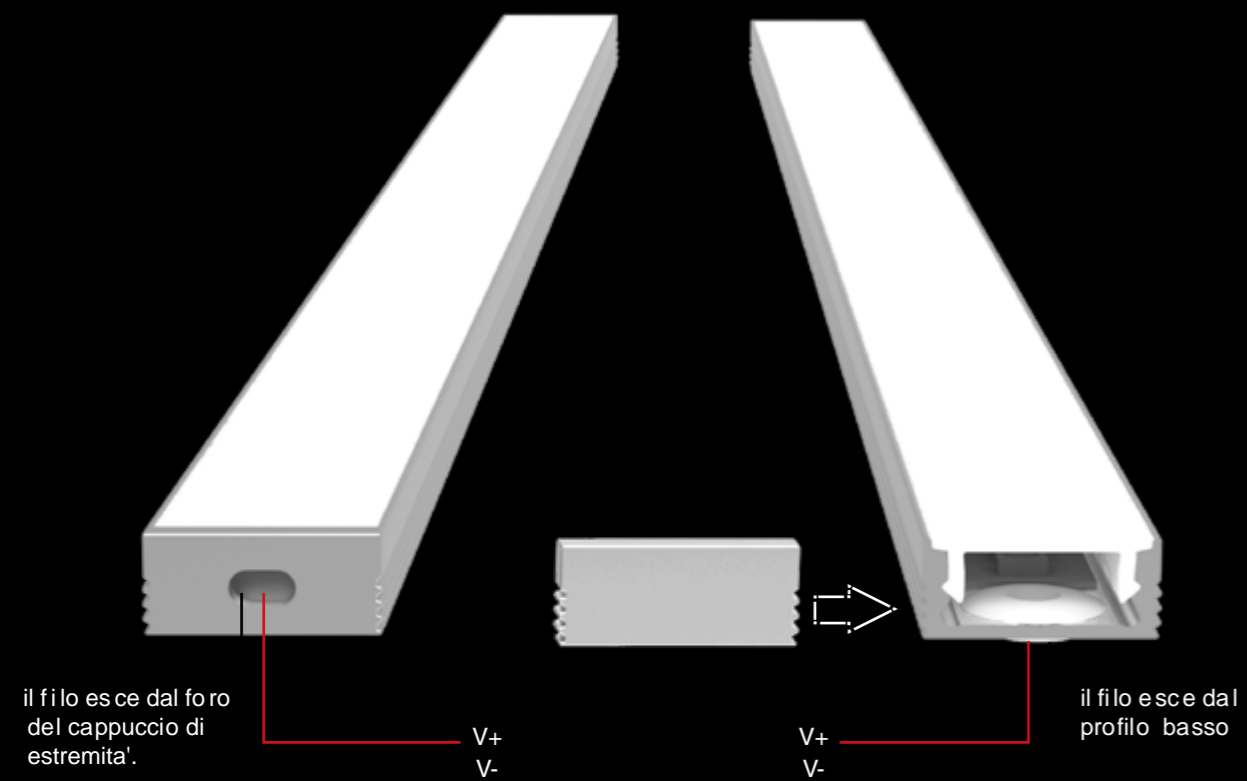
Lunghezza coerente tra Diffusore e Profilo



taglio facilmente effettuabile con diffusore incluso

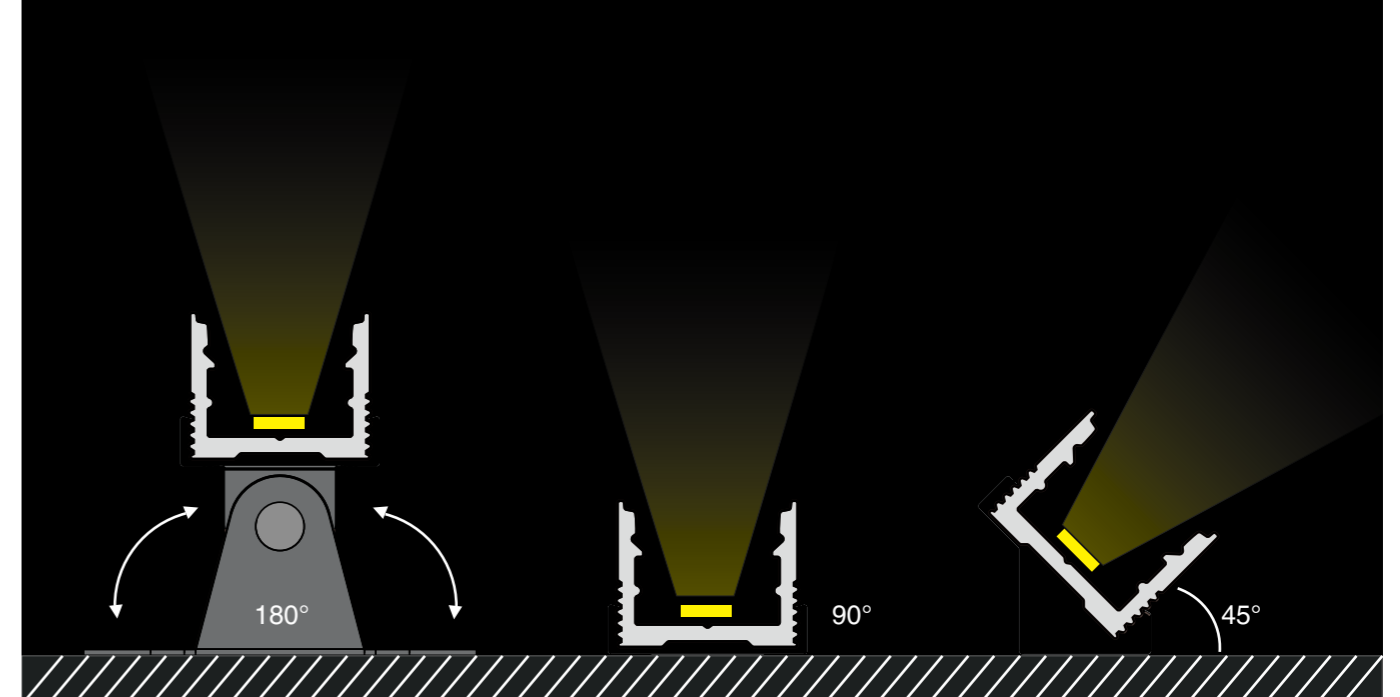
Due cappucci di Estremita'

Due opzioni di cappuccio di estremita' di due modi di filo in uscita a chiudere il design di montaggio senza viti rende l'istallazione piu semplice



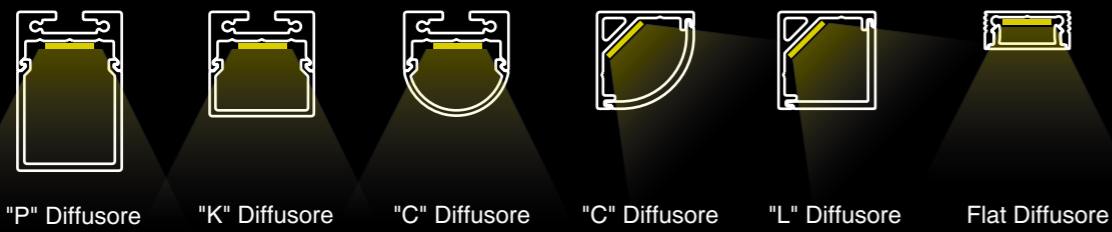
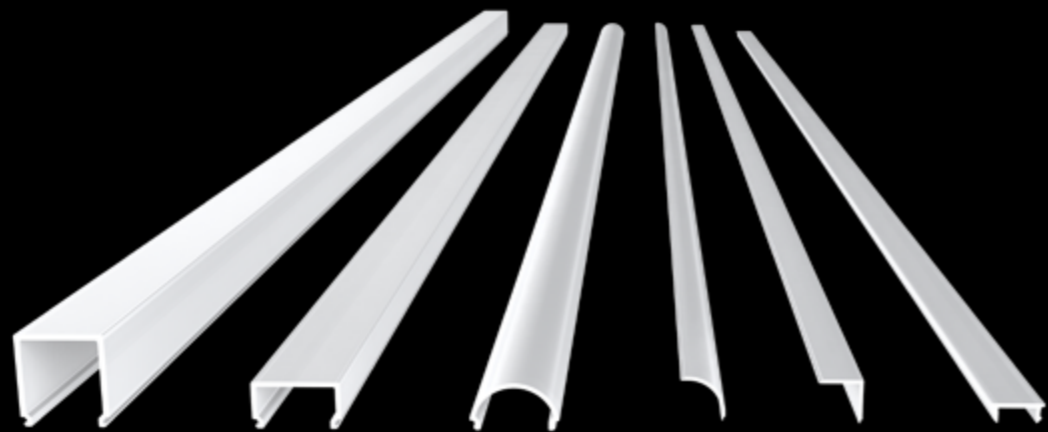
Piu angoli di emissione

45°, 90°, or 0-180° illuminazione regolabile nel modo che desiderate



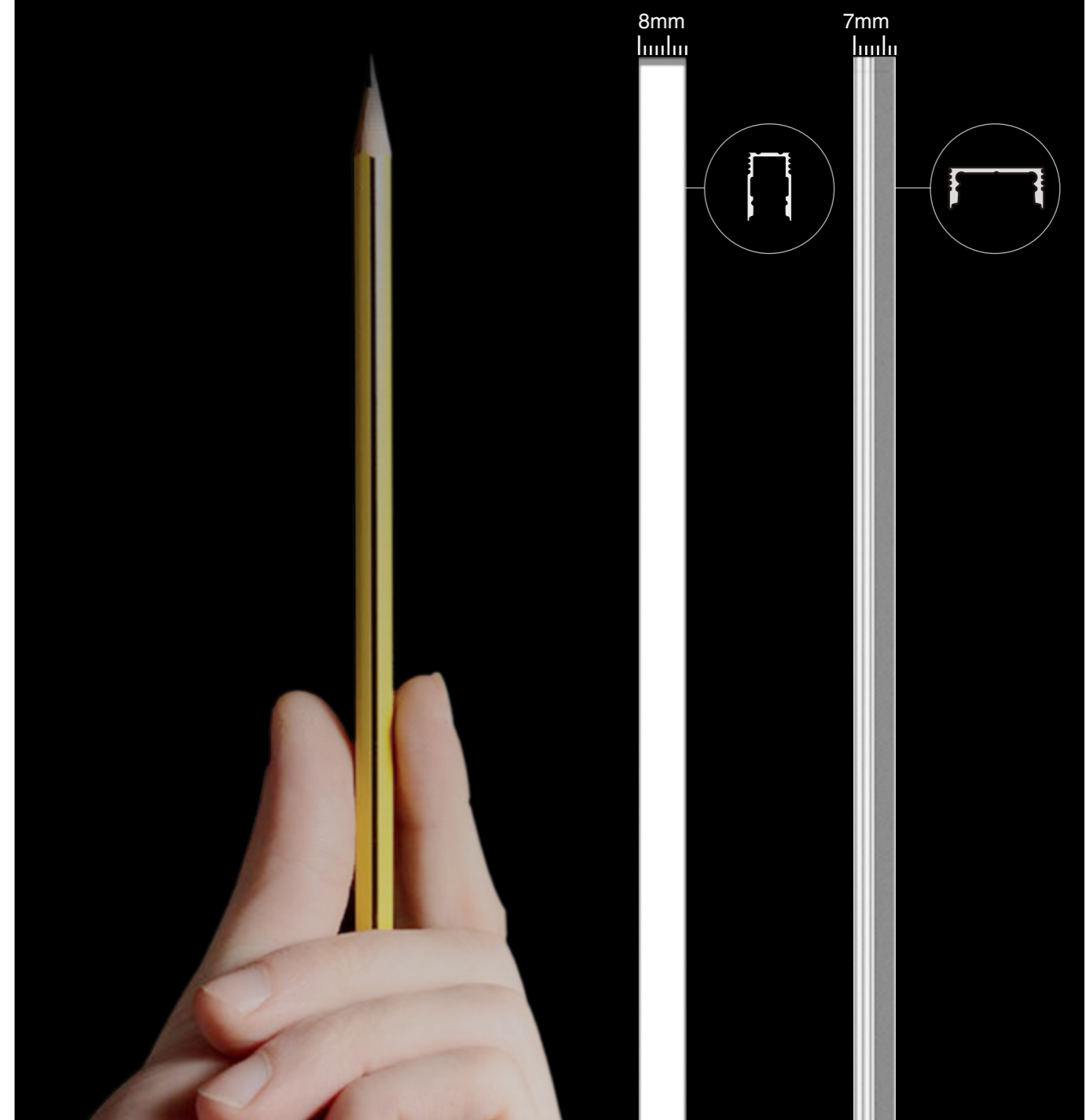
Varie opzioni di diffusori

Diverse opzioni di diffusore in varie forme
e luce dei piani di distribuzione completo di
accessori



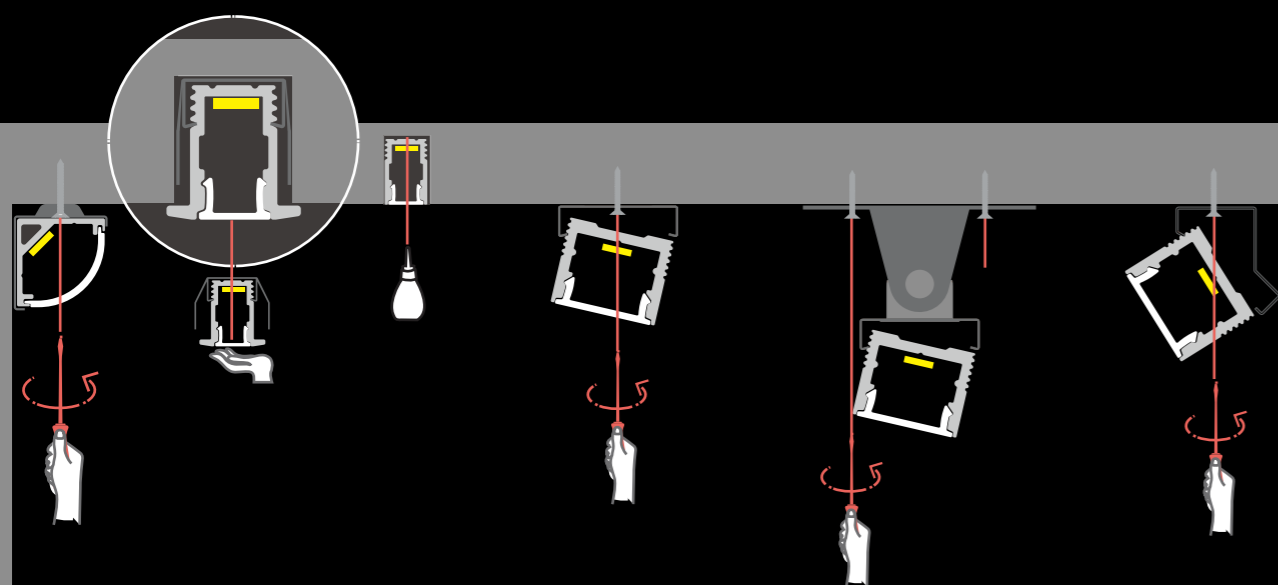
Piccole dimensioni per grandi spazi

Super sottile e sottile compatto
per essere collocato ovunque



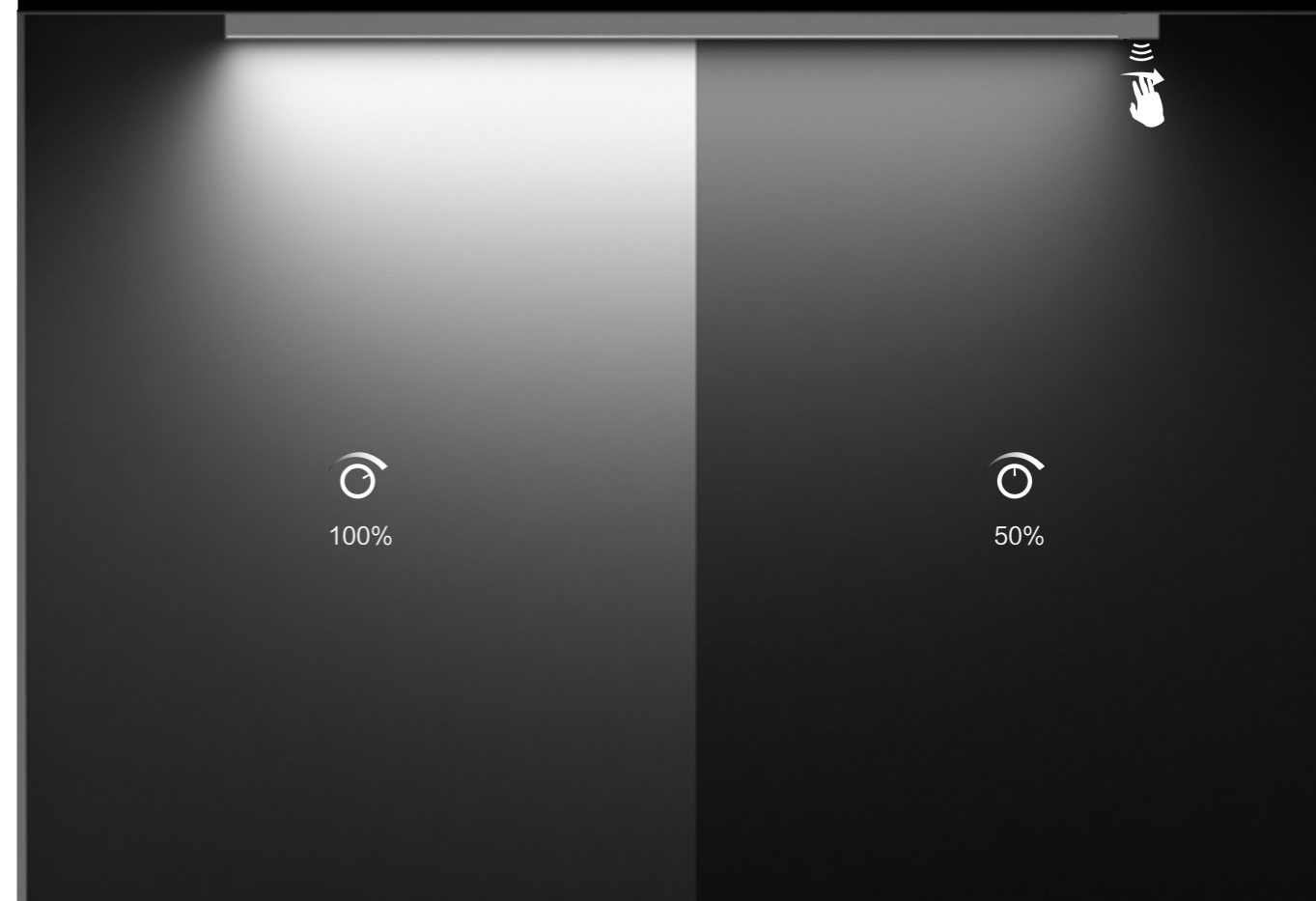
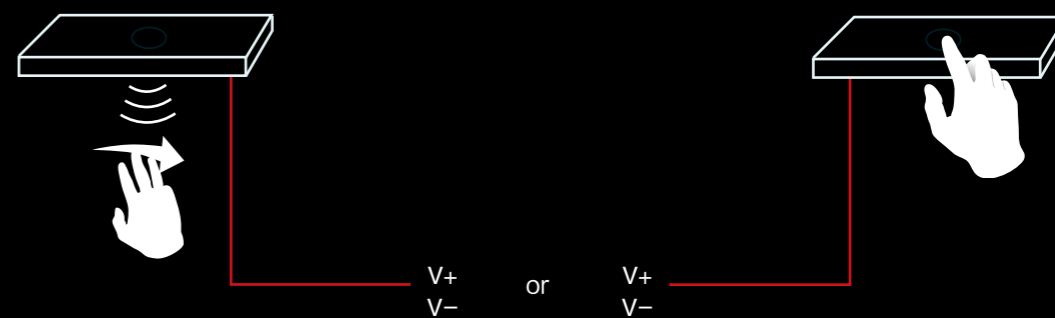
I diversi metodi di installazione

Una vasta gamma di accessori di installazione
per un'applicazione più ampia



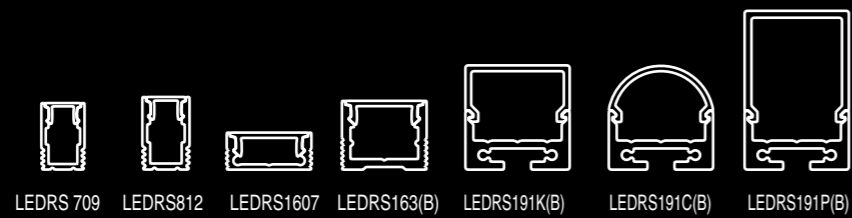
Smart controllo per possibilità illimitate

Perfettamente corrispondenti ai profili come il
Controllo personalizzato mediante il tocco della mano

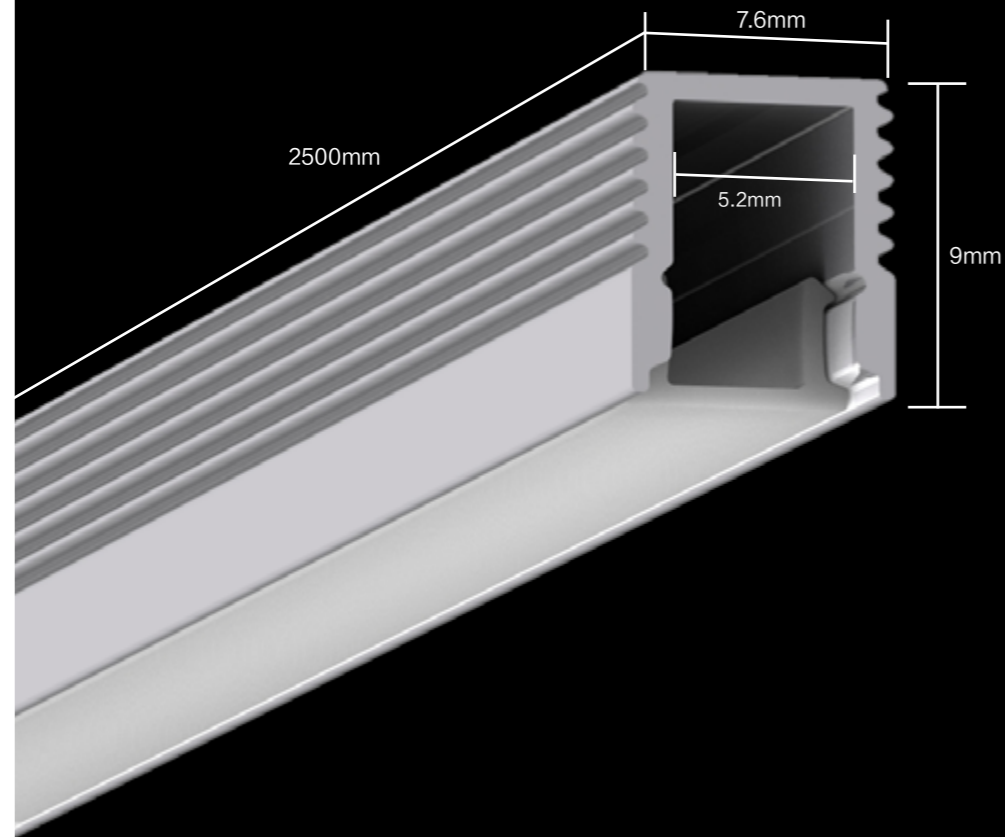


LEDR-S SERIES

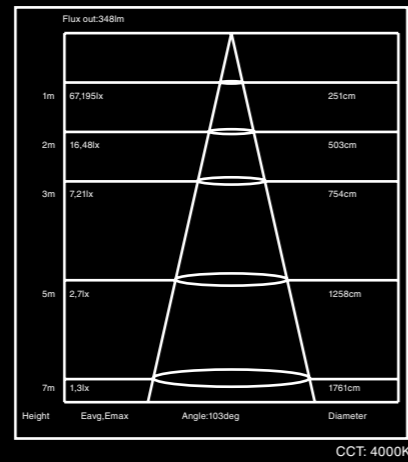
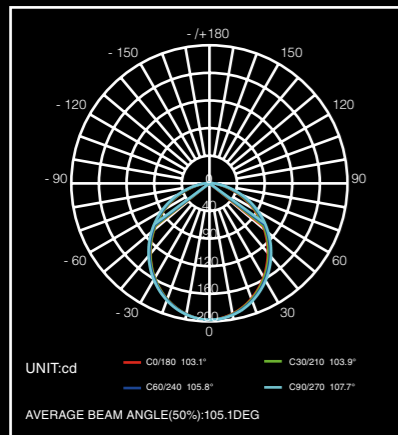
Montato a parete, ad incasso o per montaggio superficiale i diversi metodi di installazione per una perfetta applicazione in ambienti diversi



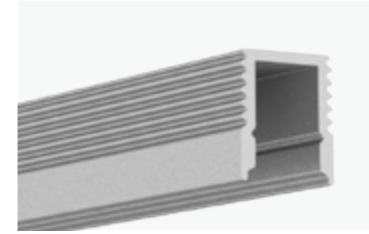
LEDR-S 709



PHOTOMETRIC OF 1.2M LUMINAIRE



CCT: 4000K



Profile	Profile
Material	Aluminium 6063
Standard coating	Silver Anodization

Essential

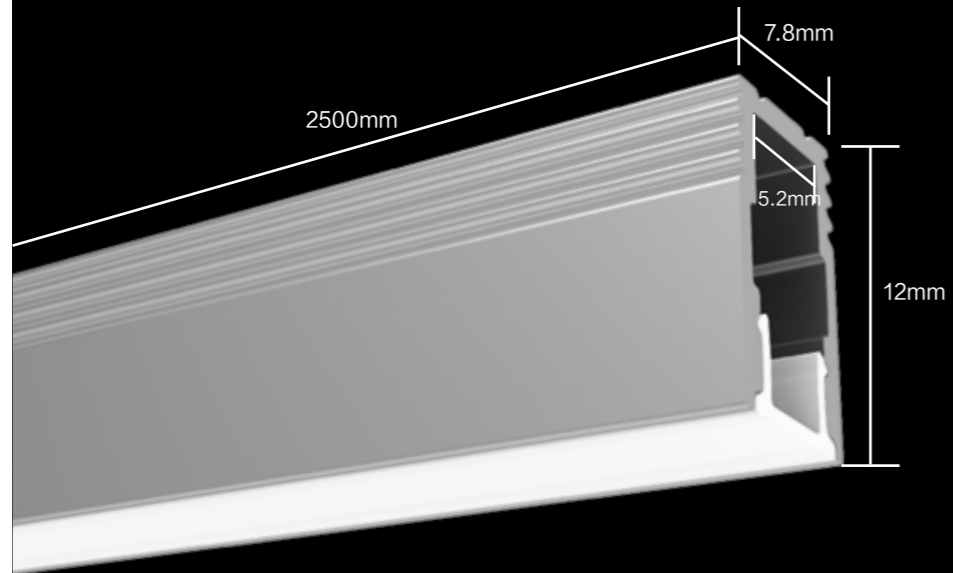
End cap x4	LEDRS 709-EC 7.8x12x8mm	
Diffuser x1	LEDRS 709-CV 2500x6.4x3.7mm	
Mounting clip x8	LEDRS 709-CP 15x9.7x4.5mm	

Lighting Source and Power Supply *

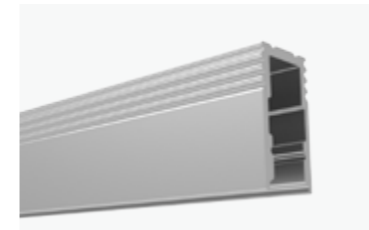
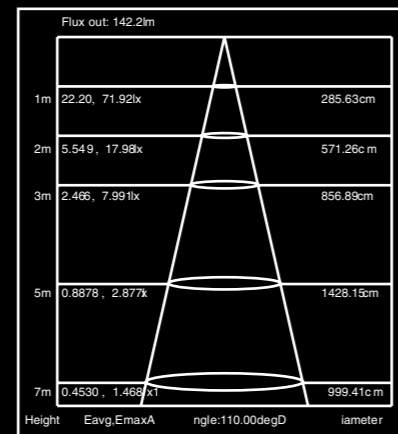
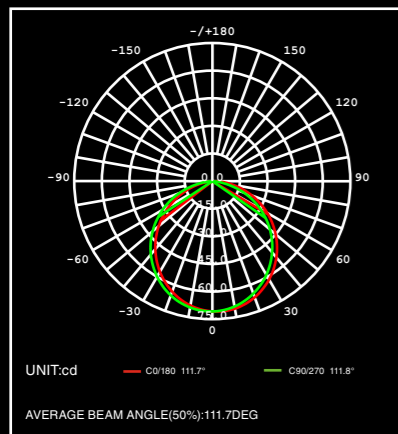


* Optional parts

LEDR-S 812



PHOTOMETRIC OF 1M LUMINAIRE



Profile	Profile
Material	Aluminium 6063
Standard coating	Silver Anodization

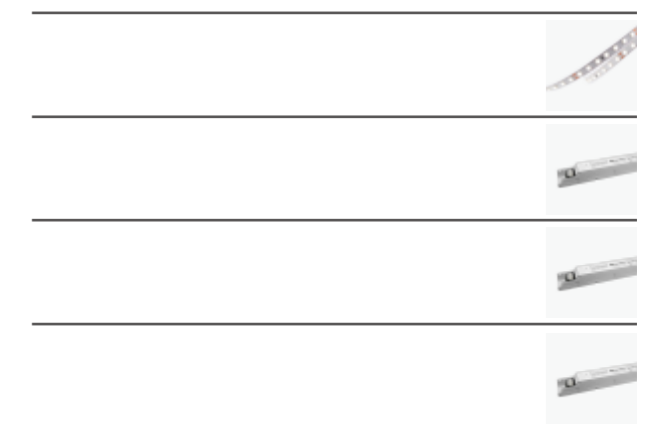
Essential

End cap x4	LEDR S 812-EC 7.8x12x8mm	
Diffuser x1	LEDR S 812-CV 2500x6.4x3.7mm	
Mounting clip x8	LEDR S 812-CP 15x9.7x4.5mm	

Optional Accessories *

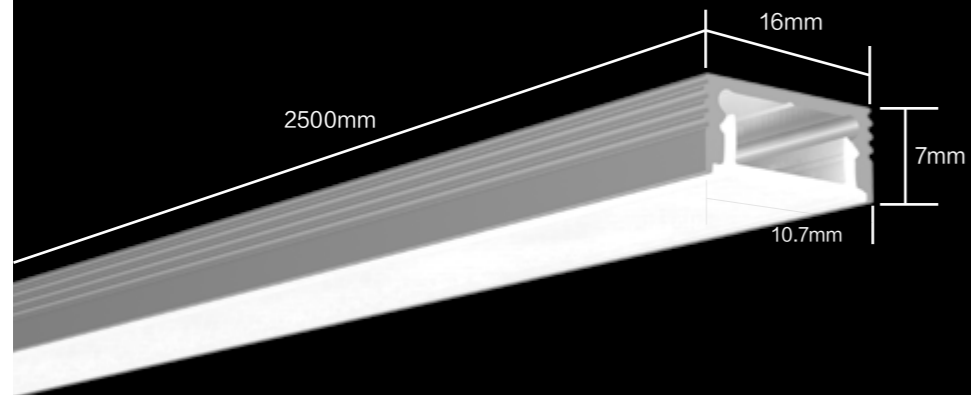
End cap	LEDR S 812-ECS-H 7.8x12x8mm	
---------	--------------------------------	--

Lighting Source and Power Supply *

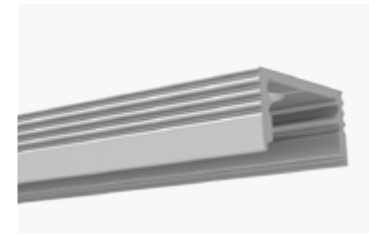
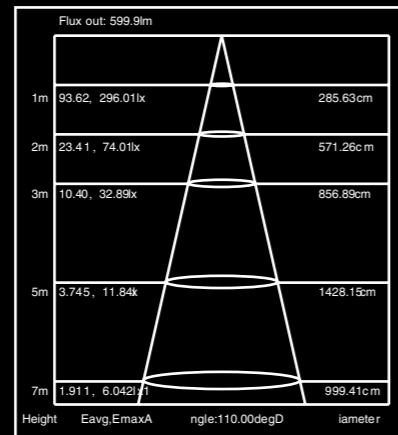
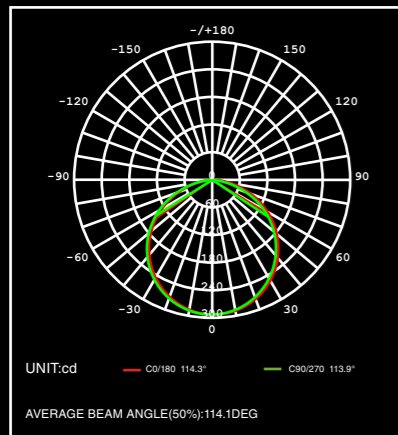


* Optional parts

LEDR S167



PHOTOMETRIC OF 1M LUMINAIRE



Profile	Profile
Material	Aluminium 6063
Standard coating	Silver Anodization
Optional coating	White /Black Powder Coating

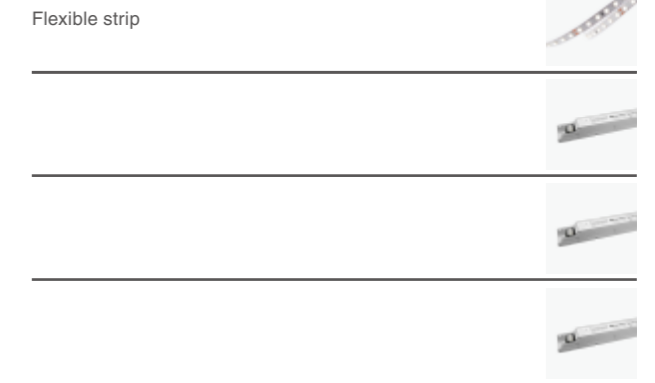
Essential

End cap x4	LEDR S167-EC 16x7x6mm	
Diffuser x1	LEDR S167-CV 2500x14.7x4.5mm	
Mounting clip x8	LEDR S167-CP 17.8x15x4.5mm	

Optional Accessories *

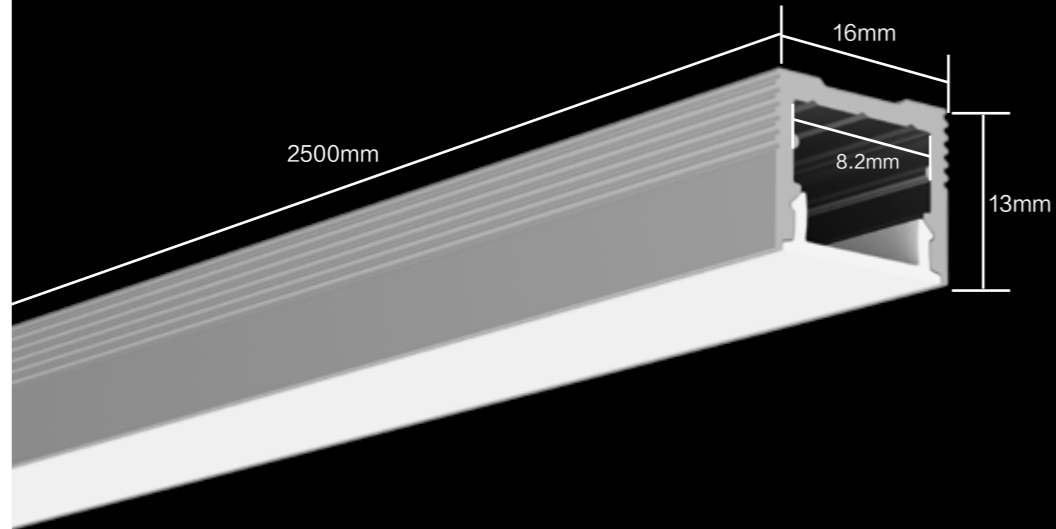
End cap	LEDR S167-ECS-H 16x7x6mm	
Mounting clip	LEDR S167-CP-45 15.6x12x16.1mm	
Adjustable mounting clip	LEDR S167-CP-AD 35x17.7x21.4mm	

Lighting Source and Power Supply *

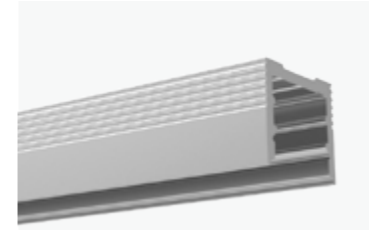
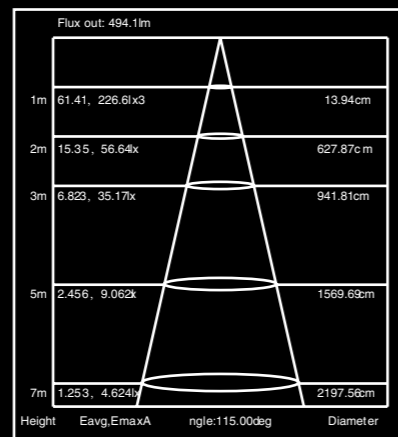
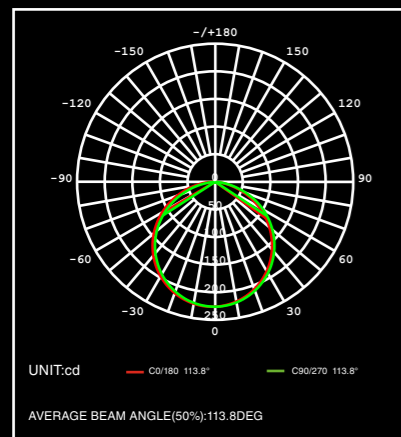


* Optional parts

LEDR S 163(B)



PHOTOMETRIC OF 1M LUMINAIRE



Profile	Profile
Material	Aluminium 6063
Standard coating	Silver Anodization
Optional coating	White /Black Powder Coating

Essential

End cap x4	LEDR S163(B)-EC 16x13x7mm	
Diffuser x1	LEDR S163(B)-CV 2500x14.7x4.5mm	
Mounting clip x8	LEDR S163(B)-CP 17.8x15x4.5mm	

Optional Accessories *

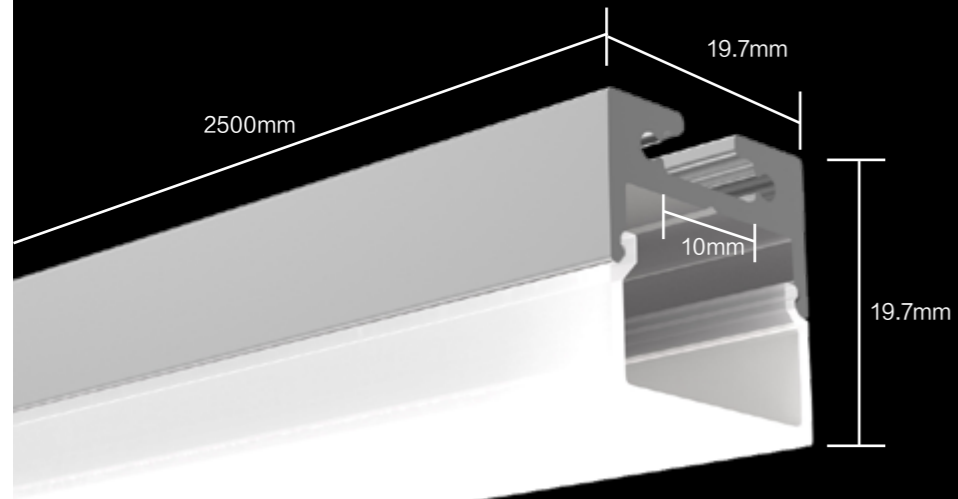
End cap	LEDR S163(B)-ECS-H 16x13x7mm	
Mounting clip	LEDR S163(B)-CP-45 15.6x12x16.1mm	
Adjustable mounting clip	LEDR S163(B)-CP-AD 35x17.7x21.4mm	

Lighting Source and Power Supply *

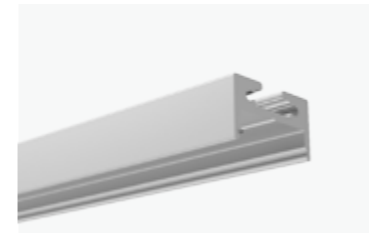
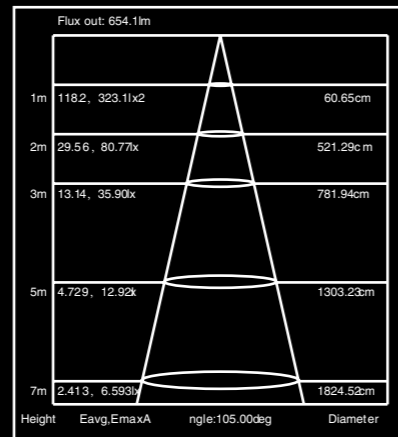
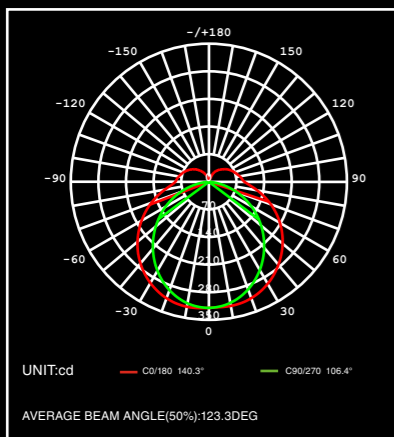


* Optional parts

LEDR S191K (B)



PHOTOMETRIC OF 1M LUMINAIRE



Profile	Profile
Material	Aluminium 6063
Standard coating	Silver Anodization
Optional coating	White /Black Powder Coating

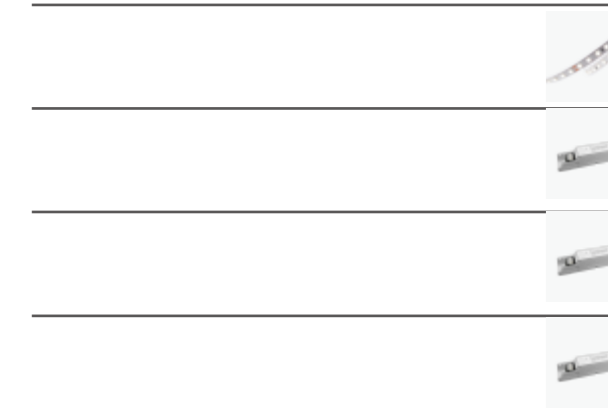
Essential

End cap x4	LEDR S191K(B)-EC 19.7x19.7x5mm	
Diffuser x1	LEDR S191K(B)-CV 2500x19.7x10.6mm	
Mounting clip x8	LEDR S191K(B)-CP 38x15x4.5mm	

Optional Accessories *

End cap	LEDR S191K(B)-ECS-H 19.7x19.7x5mm	
---------	--------------------------------------	--

Lighting Source and Power Supply *

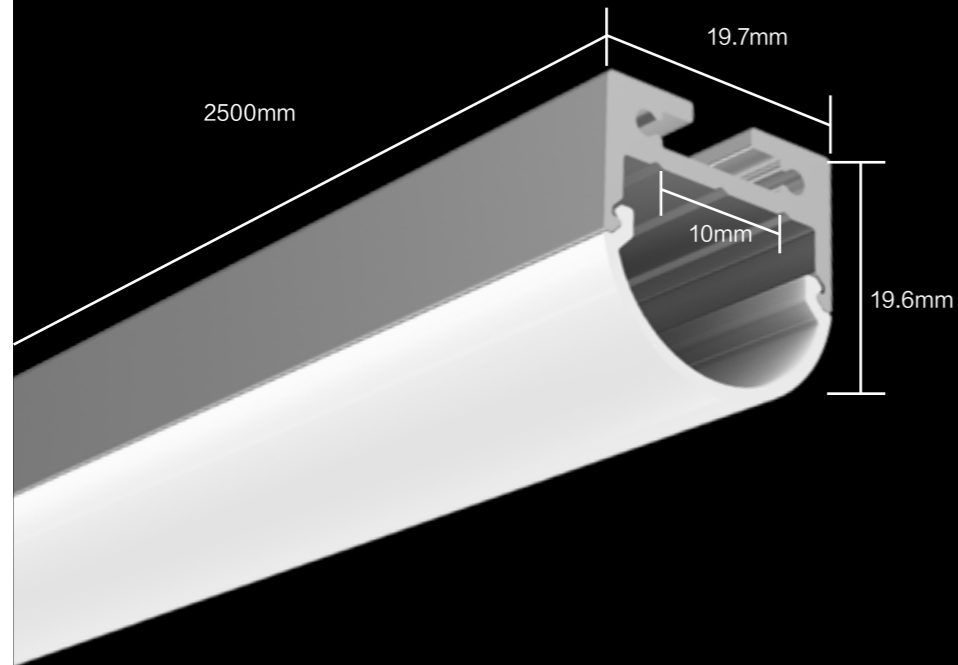


Installation Accessories *

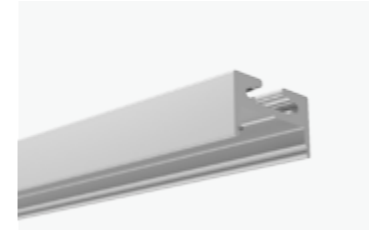
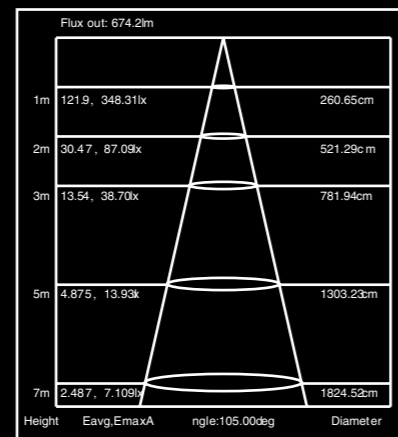
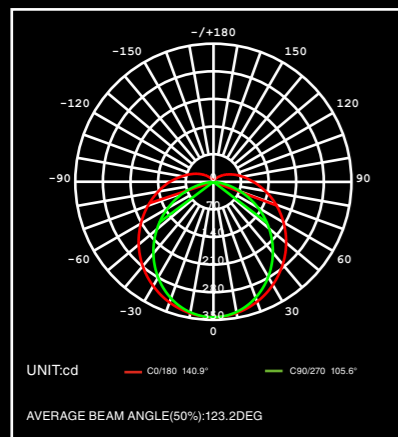
Pendant wire with junction box	LEDR S191-PY 2m/4m	
Pendant wire without junction box	LEDR S191-PN 2m/4m	
180° straight	LEDR S191-180 55x10x2mm	

* Optional parts

LEDR S 191C(B)



PHOTOMETRIC OF 1M LUMINAIRE



Profile	Profile
Material	Aluminium 6063
Standard coating	Silver Anodization
Optional coating	White /Black Powder Coating

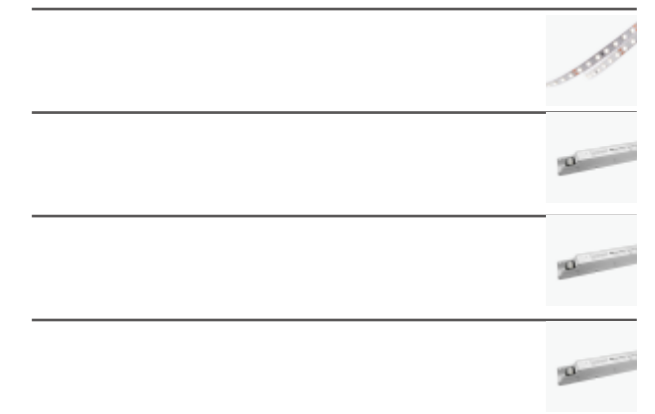
Essential

End cap x4	LEDR S191C(B)-EC 19.7x19.6x5mm	
Diffuser x1	LEDR S191 C(B)-CV 2500x19.7x10.6mm	
Mounting clip x8	LEDR S191C(B)-CP 38x15x4.5mm	

Optional Accessories *

End cap	LEDR S191C(B)--ECS-H 19.7x19.6x5mm	
---------	---------------------------------------	--

Lighting Source and Power Supply *

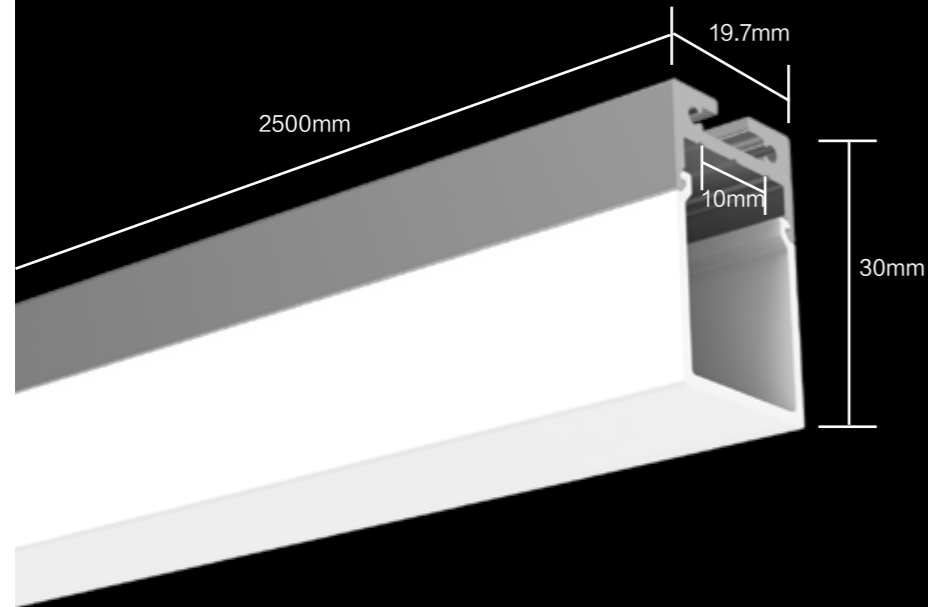


Installation Accessories *

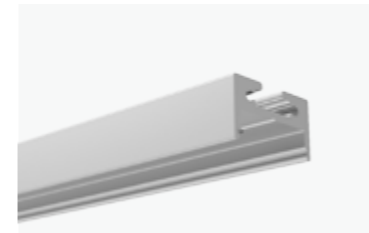
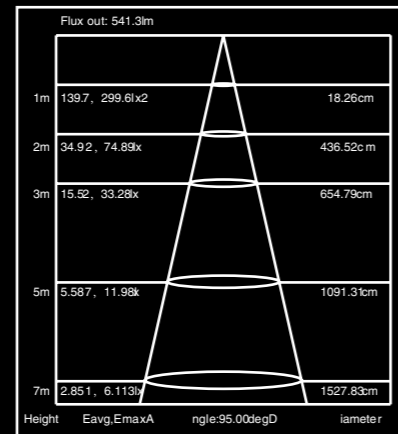
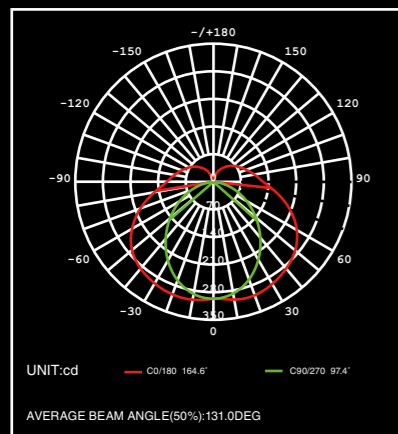
Pendant wire with junction box	LEDR S191-PY 2m/4m	
Pendant wire without junction box	LEDR S191-PN 2m/4m	
180° straight	LEDR S191-180 55x10x2mm	

* Optional parts

LEDR S191P (B)



PHOTOMETRIC OF 1M LUMINAIRE



Profile	Profile
Material	Aluminium 6063
Standard coating	Silver Anodization
Optional coating	White /Black Powder Coating

Essential

End cap x4	LEDR S191P(B)-EC 19.7x30x5mm	
Diffuser x1	LEDR S191P(B)-CV 2500x19.7x21mm	
Mounting clip x8	LEDR S191P(B)-CP 38x15x4.5mm	

Optional Accessories *

End cap	LEDR S191P(B)-ECS-H 19.7x30x5mm	
---------	------------------------------------	--

Lighting Source and Power Supply *

Flexible strip	

Installation Accessories *

Pendant wire with junction box	LEDR S191-PY 2m/4m	
Pendant wire without junction box	LEDR S191-PN 2m/4m	
180° straight	LEDR S191-180 55x10x2mm	

* Optional parts

LEDR E SERIES

Profili ad incasso per una perfetta integrazione
con gli ambienti



LEDR E121



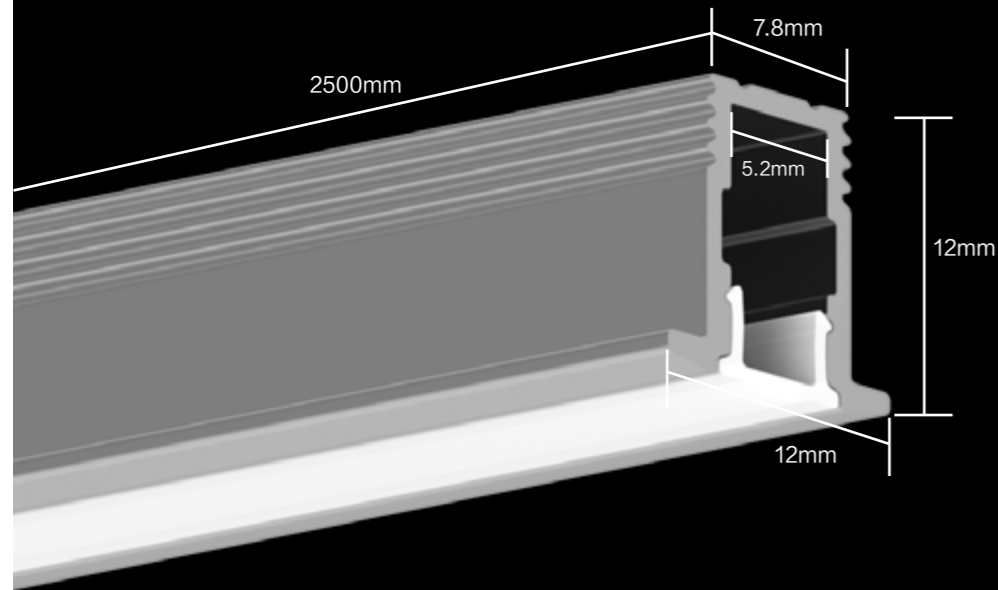
LEDR E 250



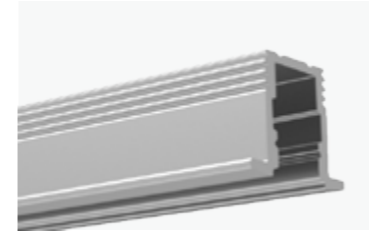
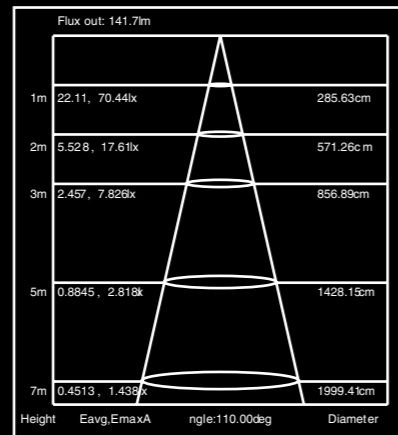
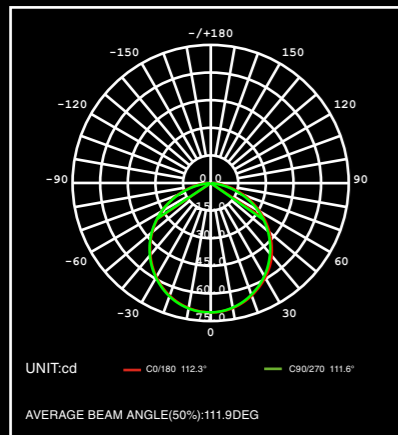
LEDR E 251



LEDR S 121



PHOTOMETRIC OF 1M LUMINAIRE



Profile	Profile
Material	Aluminium 6063
Standard coating	Silver Anodization

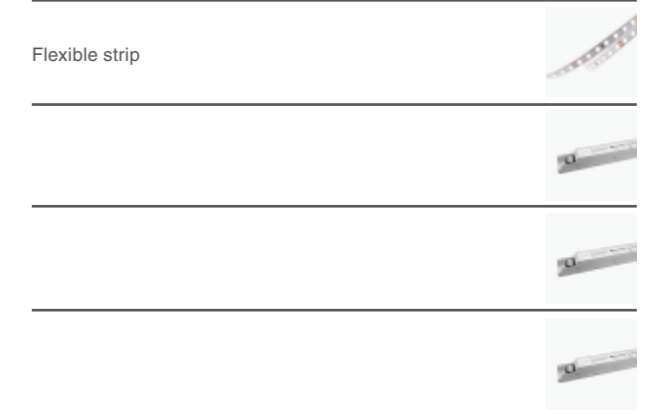
Essential

End cap x4	LEDR S121-EC 12x12x10mm	
Diffuser x1	LEDR S121-CV 2500x6.4x3.7mm	

Optional Accessories *

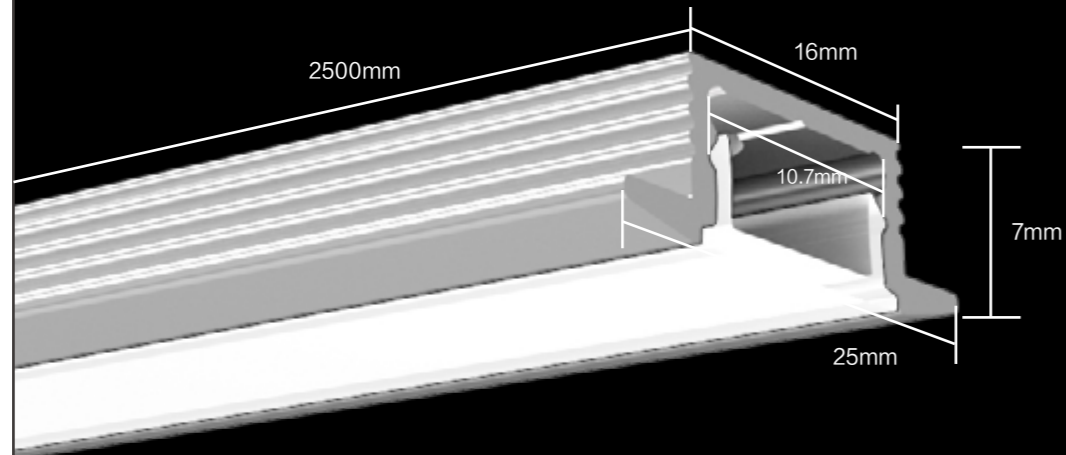
End cap	LEDR S 121-ECS-H 12x12x10mm	
Recessed clip	LEDR S121-RC 25x13x9.5mm	

Lighting Source and Power Supply *

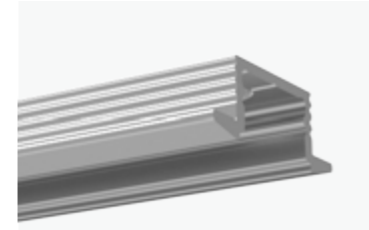
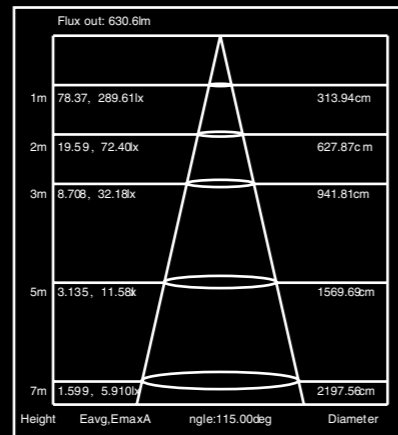
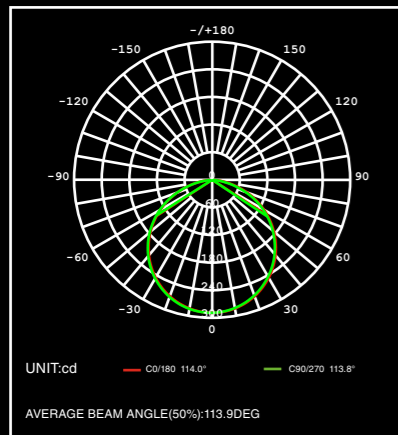


* Optional parts

LEDR S 250



PHOTOMETRIC OF 1M LUMINAIRE



Profile	Profile
Material	Aluminium 6063
Standard coating	Silver Anodization
Optional coating	White /Black Powder Coating

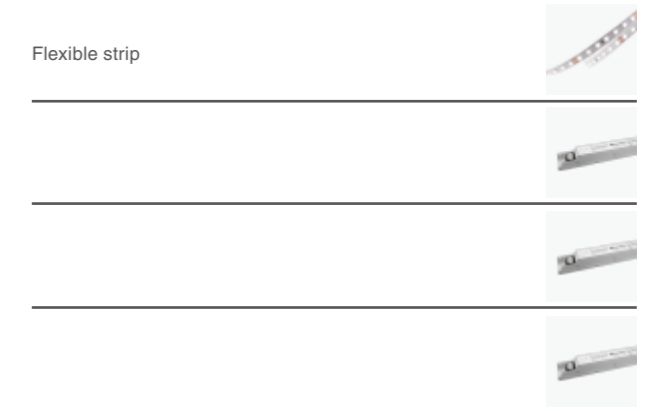
Essential

End cap x4	LEDR S 250-EC 25x7x10mm	
Diffuser x1	LEDR S 250-CV 2500x14.7x4.5mm	

Optional Accessories *

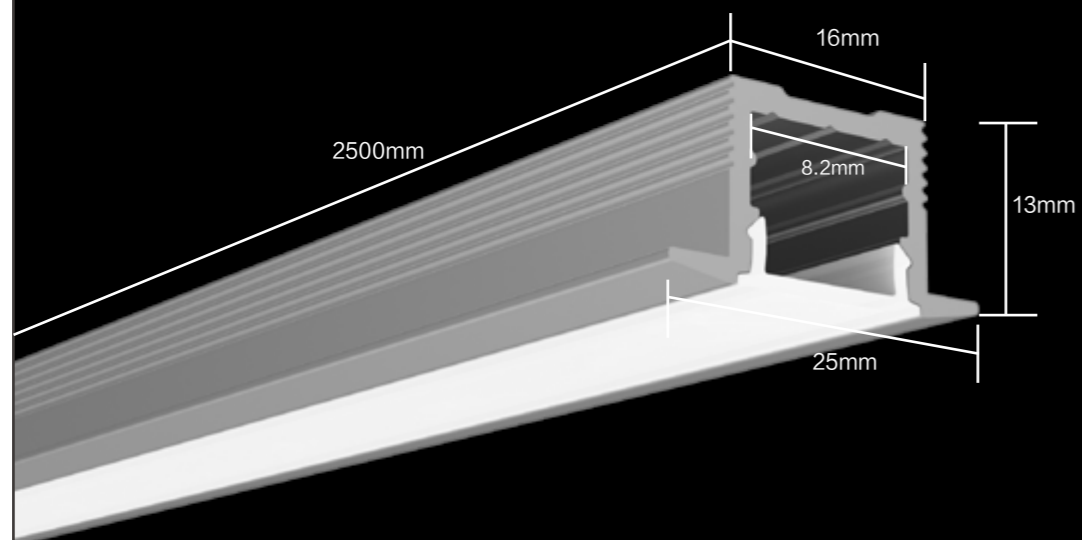
End cap	LEDR S 250-ECS-H 25x7x10mm	
---------	-------------------------------	--

Lighting Source and Power Supply *

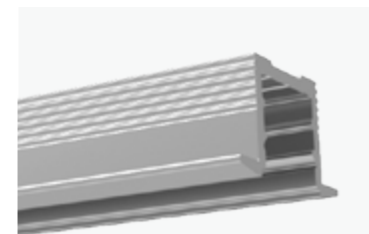
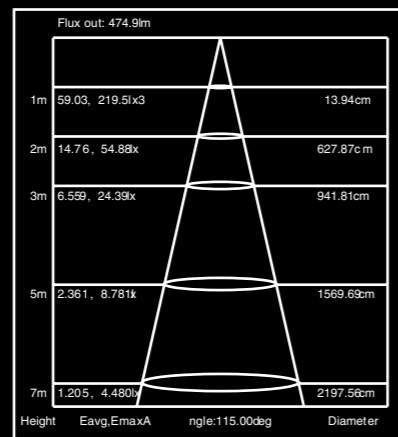
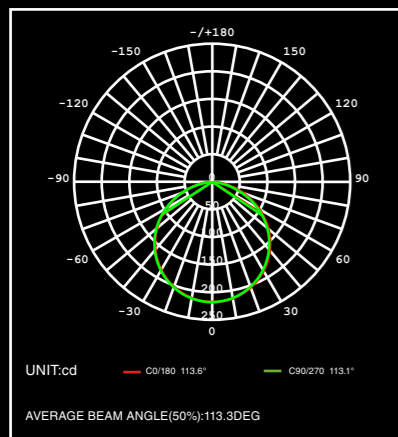


* Optional parts

LEDR S 251



PHOTOMETRIC OF 1M LUMINAIRE



Profile	Profile
Material	Aluminium 6063
Standard coating	Silver Anodization
Optional coating	White /Black Powder Coating

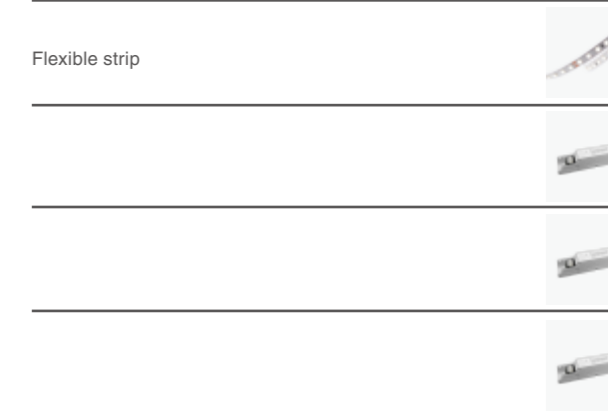
Essential

End cap x4	LEDR S251-EC 25x13x11mm	
Diffuser x1	LEDR S251-CV 2500x14.7x4.5mm	

Optional Accessories *

End cap	LEDR S251-ECS-H 25x13x11mm	
Recessed clip	LEDR S251-RC 25x22x11mm	

Lighting Source and Power Supply *



* Optional parts

LEDR S SERIES

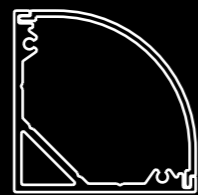
Disegno di Angolo retto 90° per
adattarsi a diversi angoli di parete



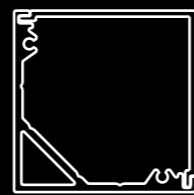
LEDR S161C



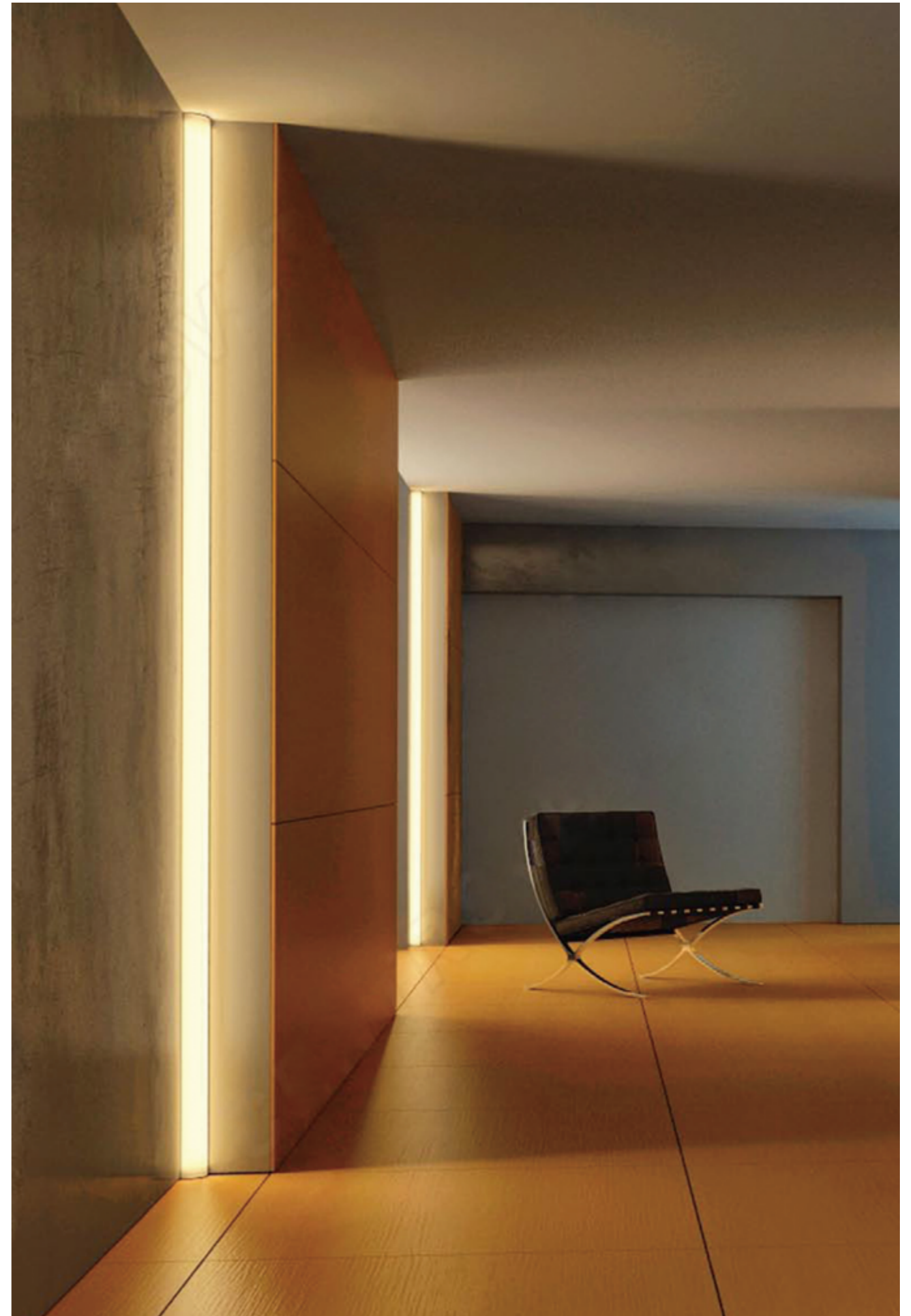
LEDR S161K



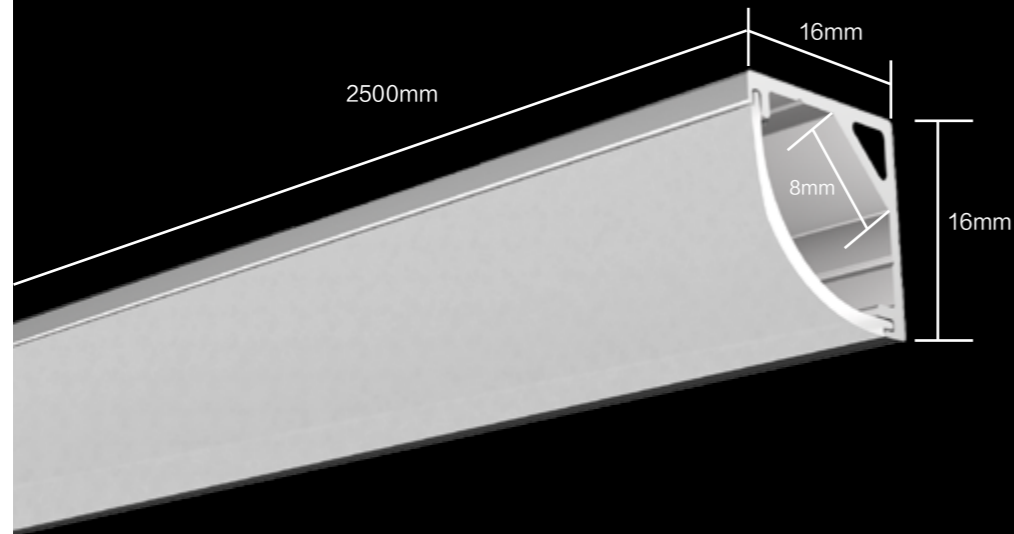
LEDRG303C(B)



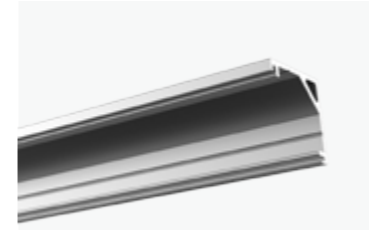
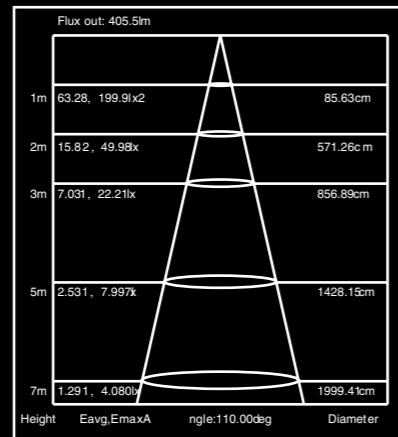
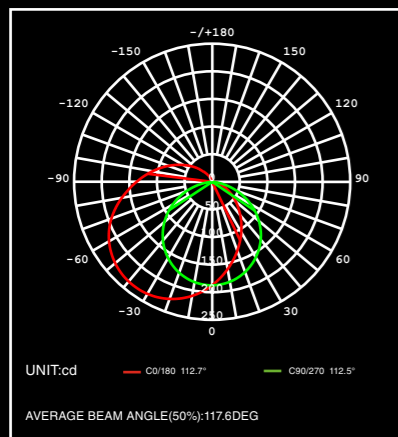
LEDRG303K(B)



LEDR S161C



PHOTOMETRIC OF 1M LUMINAIRE



Profile	Profile
Material	Aluminium 6063
Standard coating	Silver Anodization
Optional coating	White /Black Powder Coating

Essential

End cap x4	LEDR S161C-EC 16x16x6.5mm	
Diffuser x1	LEDR S161C-CV 2500x14.6x14.6mm	
Mounting clip x8	LEDR S161C-CP 15x17x17mm	

Optional Accessories *

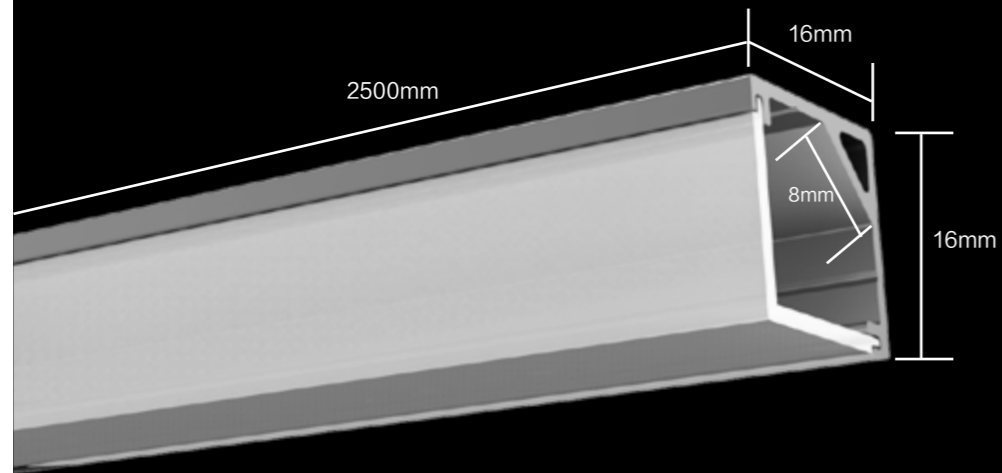
End cap	LEDR S161C-ECS-H 16x16x6.5mm	
---------	---------------------------------	--

Lighting Source and Power Supply *

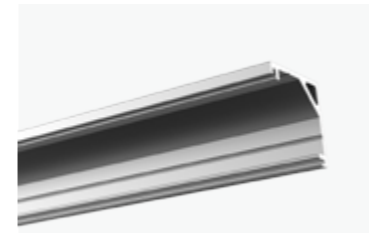
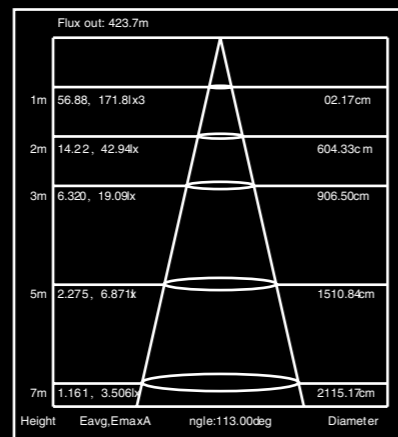
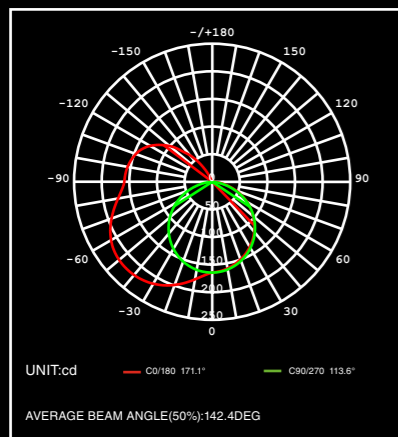


* Optional parts

LEDR S161K



PHOTOMETRIC OF 1M LUMINAIRE



Profile	Profile
Material	Aluminium 6063
Standard coating	Silver Anodization
Optional coating	White /Black Powder Coating

Essential

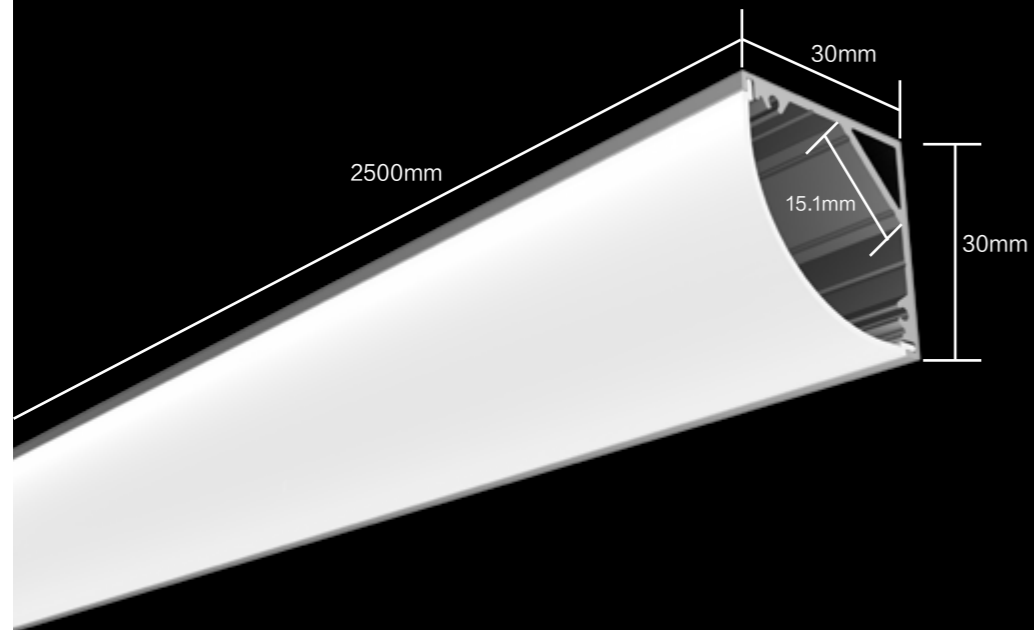
End cap x4	LEDR S161K-EC 16x16x6.5mm	
Diffuser x1	LEDR S161K-CV 2500x14.6x14.6mm	
Mounting clip x8	LEDR S161K-CP 15x17x17mm	

Optional Accessories *

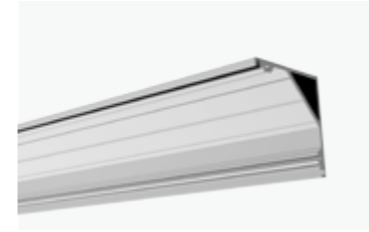
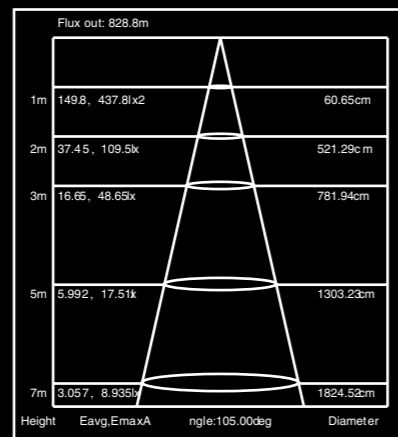
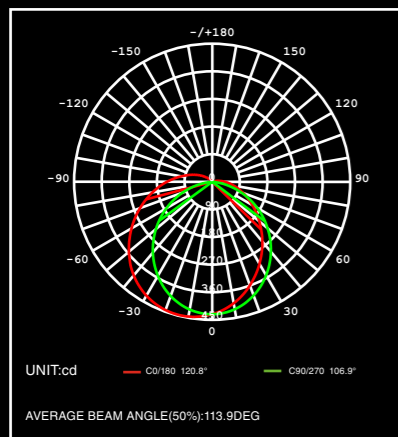
End cap	LEDR S161K-ECS-H 16x16x6.5mm	
Lighting Source and Power Supply *		
Flexible strip		
25W power supply		
65W power supply		
100W power supply		

* Optional parts

LEDR S 303C (B)



PHOTOMETRIC OF 1M LUMINAIRE



Profile	Profile
Material	Aluminium 6063
Standard coating	Silver Anodization
Optional coating	White /Black Powder Coating

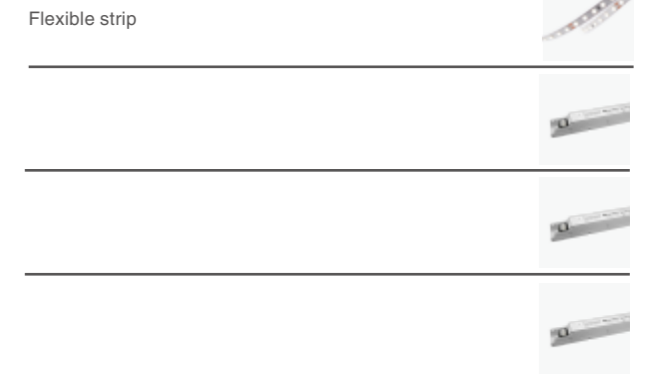
Essential

End cap x4	LEDR S 303C(B)-EC 30x30x5mm	
Diffuser x1	LEDR S303C(B)-CV 2500x28.9x28.9mm	
Mounting clip x8	LEDR S303 C(B)-CP 31x31x14mm	

Optional Accessories *

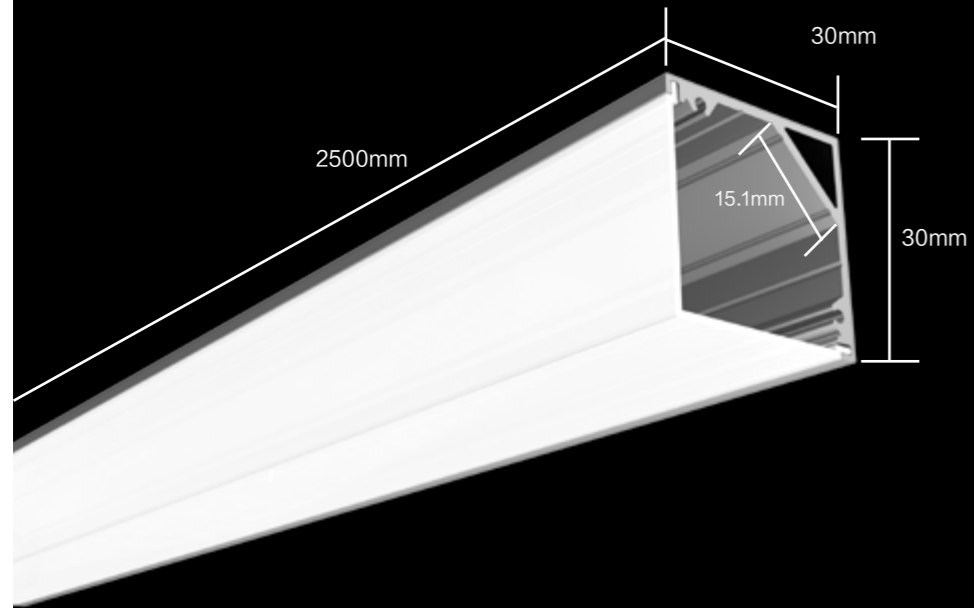
End cap	LEDR S 303 C(B)-ECS-H 30x30x5mm	
---------	------------------------------------	--

Lighting Source and Power Supply *

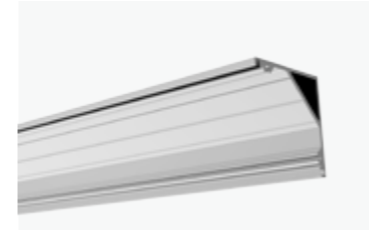
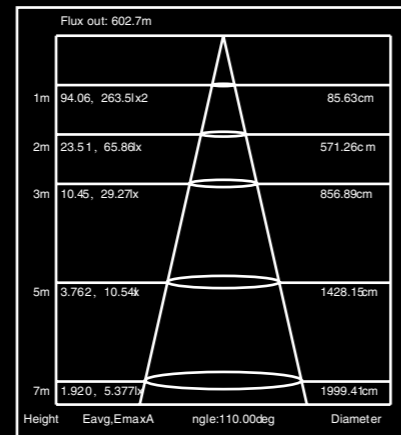
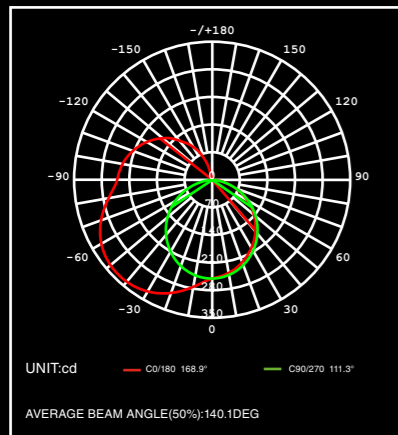


* Optional parts

LEDR S 303K (B)



PHOTOMETRIC OF 1M LUMINAIRE



Profile	Profile
Material	Aluminium 6063
Standard coating	Silver Anodization
Optional coating	White /Black Powder Coating

Essential

End cap x4	LEDR S303 K(B)-EC 30x30x5mm	
Diffuser x1	LEDR S303 K(B)-CV 2500x28.9x28.9mm	
Mounting clip x8	LEDR S303 K(B)-CP 31x31x14mm	

Optional Accessories *

End cap	LEDR S303 K(B)-ECS-H 30x30x5mm	
---------	-----------------------------------	--

Lighting Source and Power Supply *



* Optional parts

LED RICH PROJECT
the light of your planet

www.ledrichproject.it